

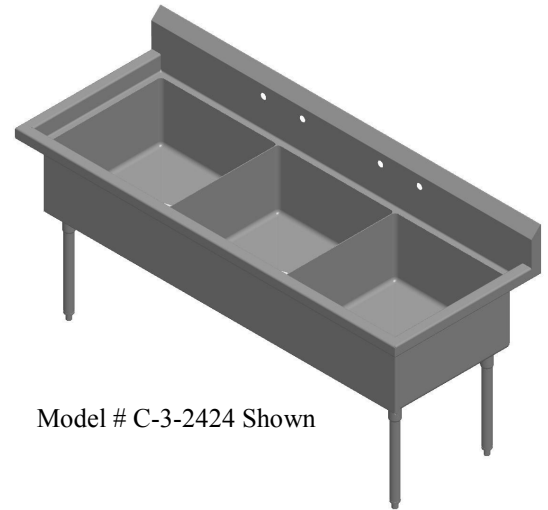
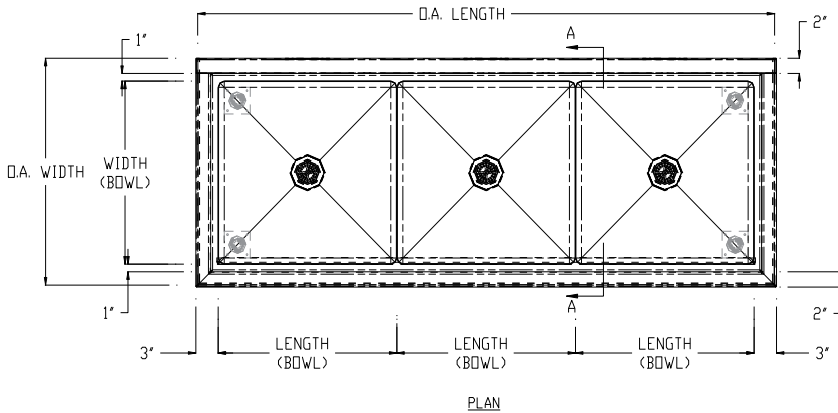


THREE COMPARTMENT SINKS W/ NO DRAINBOARD

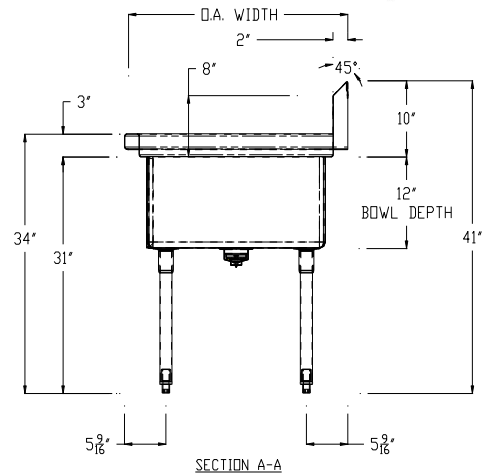
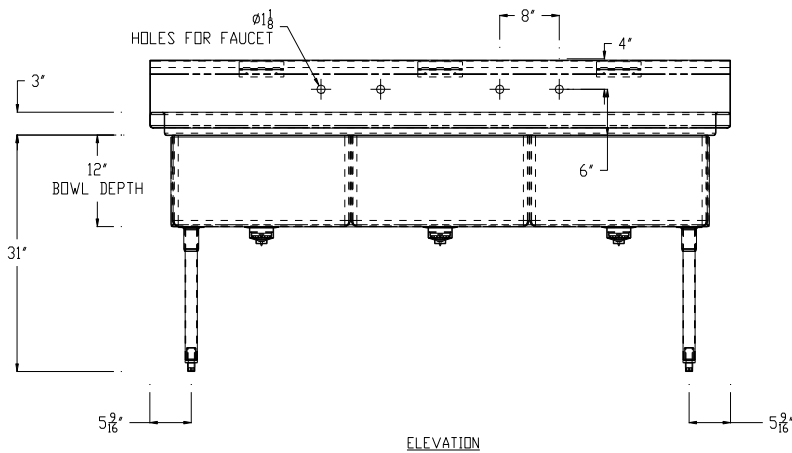
PROJECT#: _____

ITEM# _____

MODEL# _____



Model # C-3-2424 Shown



| THREE COMPARTMENT SINKS W/ NO DRAINBOARD | | | | | | | |
|--|-----|-----------------------------|--------------|-------------|------------|----------------|-----------------------|
| MODEL# | QTY | PRODUCT DIMENSIONS (INCHES) | | | | | SHIPPING WEIGHT (LBS) |
| | | LENGTH (BOWL) | WIDTH (BOWL) | O.A. LENGTH | O.A. WIDTH | OVERALL HEIGHT | |
| C-3-1618 | | 16" | 18" | 54" | 24" | 41" | 145 |
| C-3-1824 | | 18" | 24" | 60" | 30" | 41" | 165 |
| C-3-2424 | | 24" | 24" | 78" | 30" | 41" | 183 |
| C-3-2430 | | 24" | 30" | 78" | 36" | 41" | 201 |

SINK SPECIFICATIONS:

- TOP: 16 GA. 300 Series Stainless Steel
- SINK BOWLS: 16 GA. 300 Series Stainless Steel
- LEGS: 1 5/8" Diameter Stainless Steel Tubing

CONSTRUCTION:

- ◆ Fully welded, Seamless, Polished to #4 Finish
- ◆ Euro Edge
- ◆ S/S Adjustable Bullet Feet
- ◆ Crumb Cup Drain 1 1/2" IPS
- ◆ 8" On Center Faucet Holes
- ◆ Ships with (3) Wall Mount "Z" Clip
- ◆ (2) Sets of Faucet Holes on Bowls Greater Than 18" Long
- ◆ Integral 10" Tall Backsplash